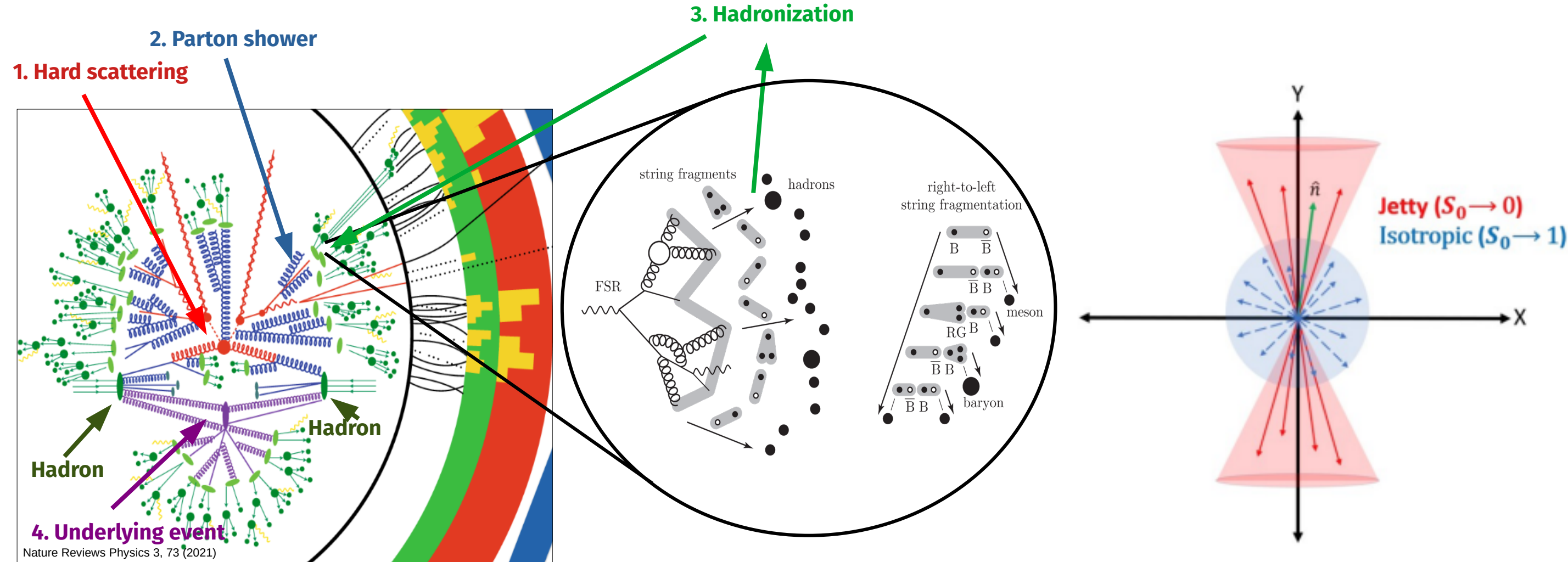


## Introduction

Hadronization is a non-perturbative process, which theoretical description can not be deduced from first principles. Modeling hadron formation requires several assumptions and various phenomenological approaches. Utilizing state-of-the-art Computer Vision and Deep Learning algorithms, it is eventually possible to train neural networks to learn non-linear and non-perturbative features of the physical processes.

## Hadronization

- Several models: statistical, string fragmentation, clusterization...



### Dataset: Pythia 8.303

- Decay, rescattering turned off
- MPI, ISR, FSR on for train, on/off for validation
- Process level: SoftQCD/HardQCD with various minimum invariant  $p_T$  values

### Event/particle selection:

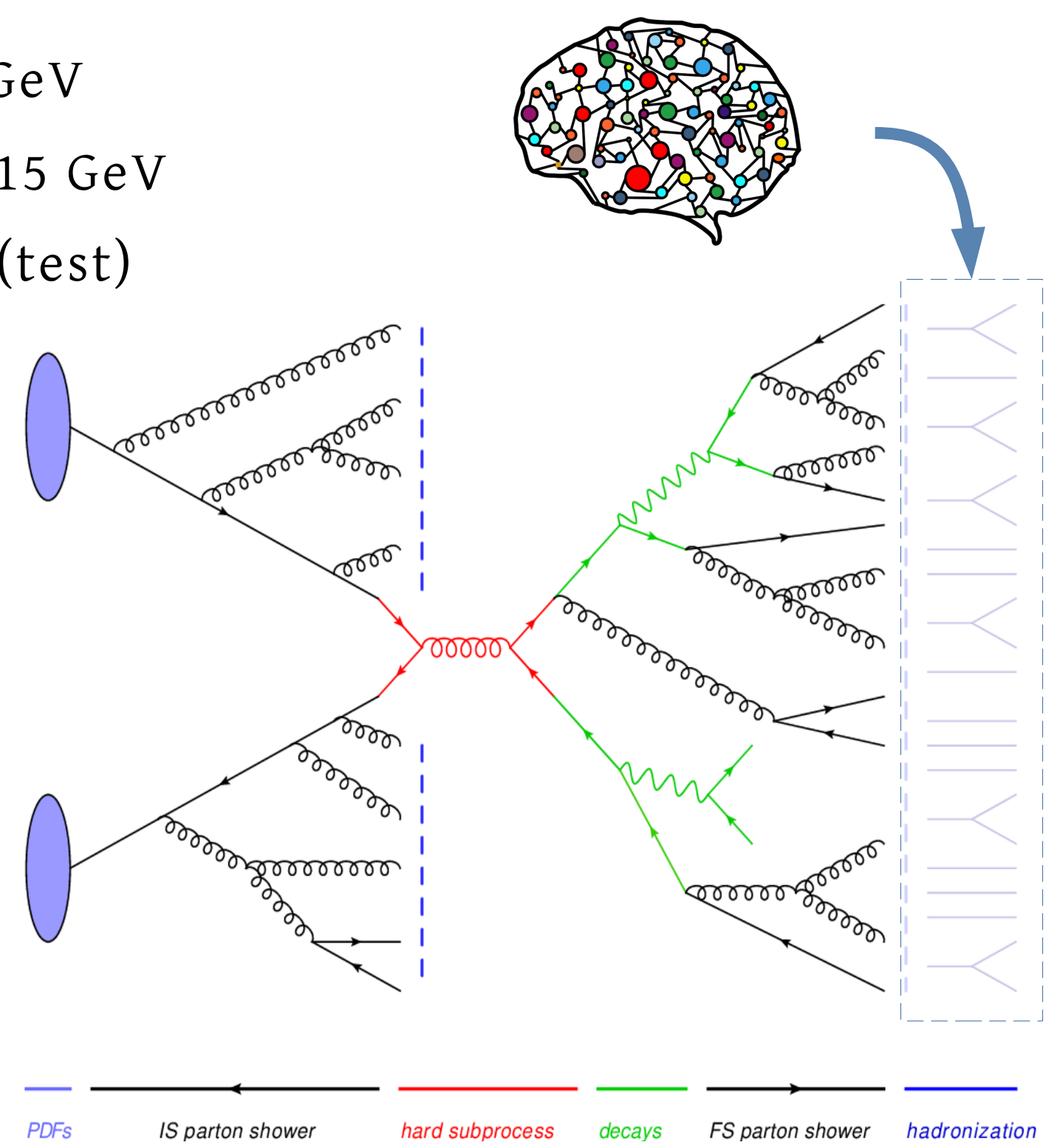
- At least 2 jets (anti- $k_T$ ),  $R=0.4$ ,  $p_{T,jet} > 40$  GeV
- All final state hadrons with  $|y| < \pi$ ,  $p_T > 0.15$  GeV
- Event number: 750 000 (train), 100 000 (test)

### Parton level:

- Discretized in the  $(y, \phi)$  plane:  $p_T$ ,  $m$ , multiplicity (CM energy)
- $y \in [\pi, \pi]$ ,  $\phi \in [0, 2\pi]$ ,  $32 \times 32$  grid

### Hadron level:

- (Charged) event multiplicities, transverse sphericity, charged hadron  $p_T$ , jet  $p_T$ , jet mass, jet width, jet multiplicity, jet number



## Method: Machine Learning

Consider the task as a modified image processing problem

- Reproduce the hadronic statistics from a partonic image

### Architecture base: ResNet

- Input:  $32 \times 32 \times 3$ , scaled into the  $[0,1]$  region
- Output: 45 histogram bin, scaled into the  $[0,1]$  region
- Loss: Binary Cross-entropy:

$$\mathcal{L} = -\frac{1}{N} \sum_{i=1}^N y_i \cdot \log(p(y_i)) + (1 - y_i) \cdot \log(1 - p(y_i))$$

- Optimizer: adam
- Batch size: 512
- Metrics: mean absolute error
- Other properties: Batch normalization, ReLU activation, sigmoid output, decaying learning rate

### Tested models:

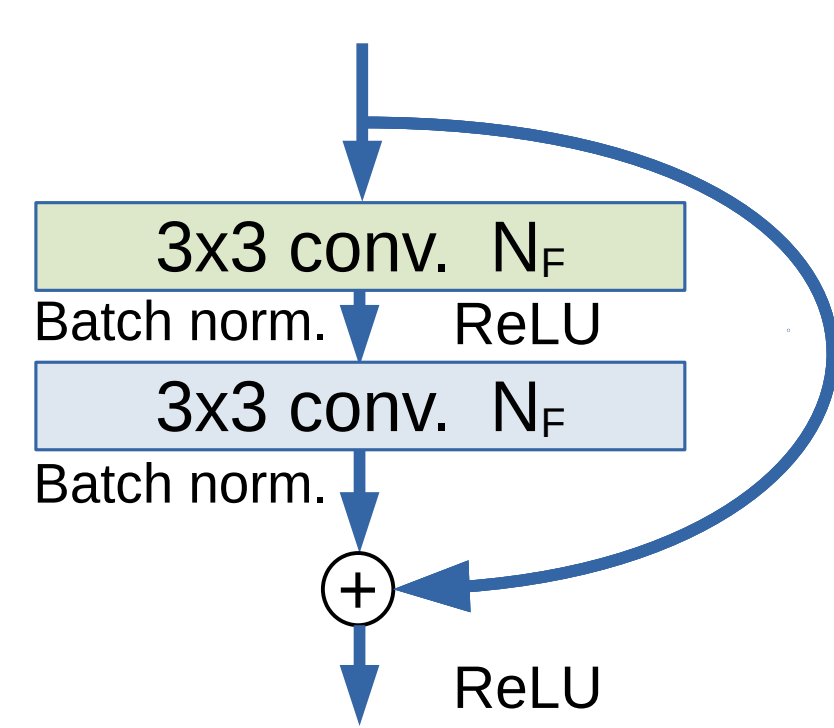
- Model-S: 14 layers, 1.7M trainable parameters
- Model-L: 34 layers, 21.5M trainable parameters

### Hardware and Software:

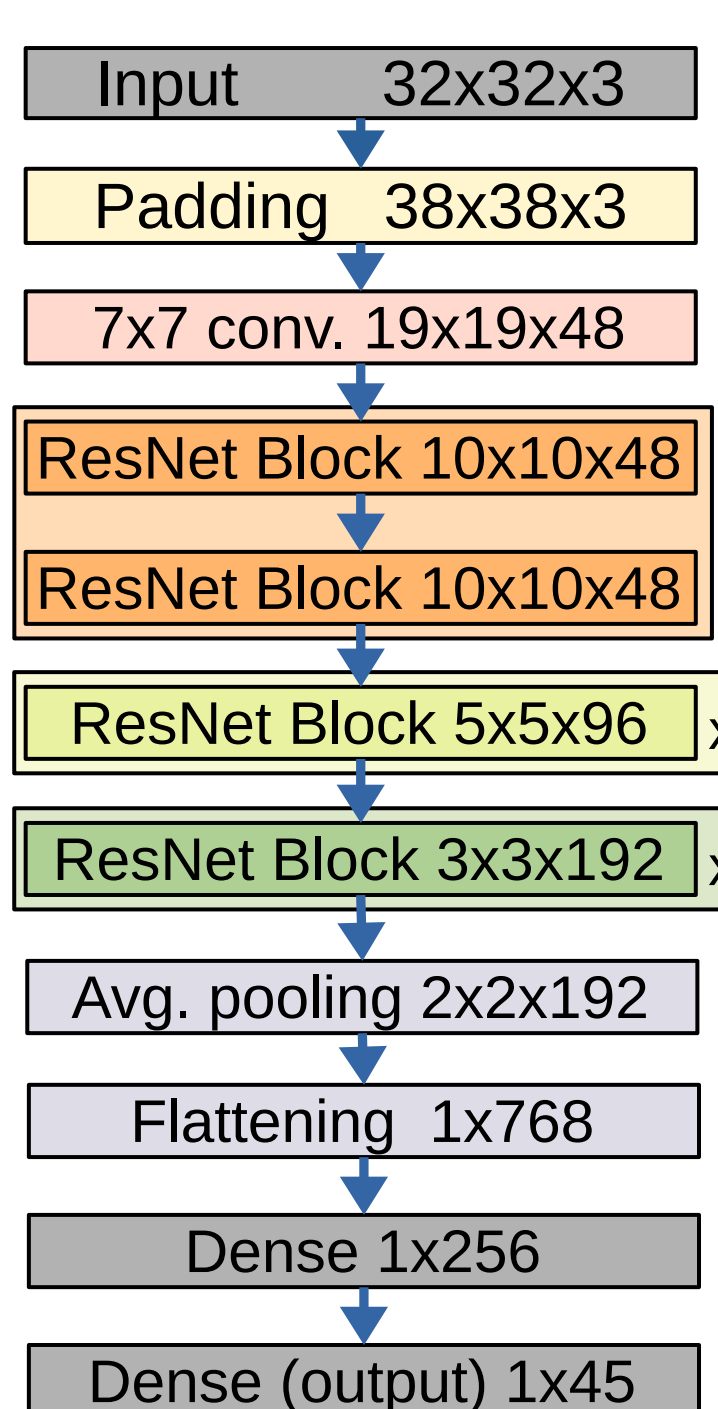
Used hardwares: NVIDIA A100, Tesla T4, GeForce GTX 1080 @ Wigner Scientific Computing Laboratory

Framework: Tensorflow 2.4.1, Keras 2.4.0

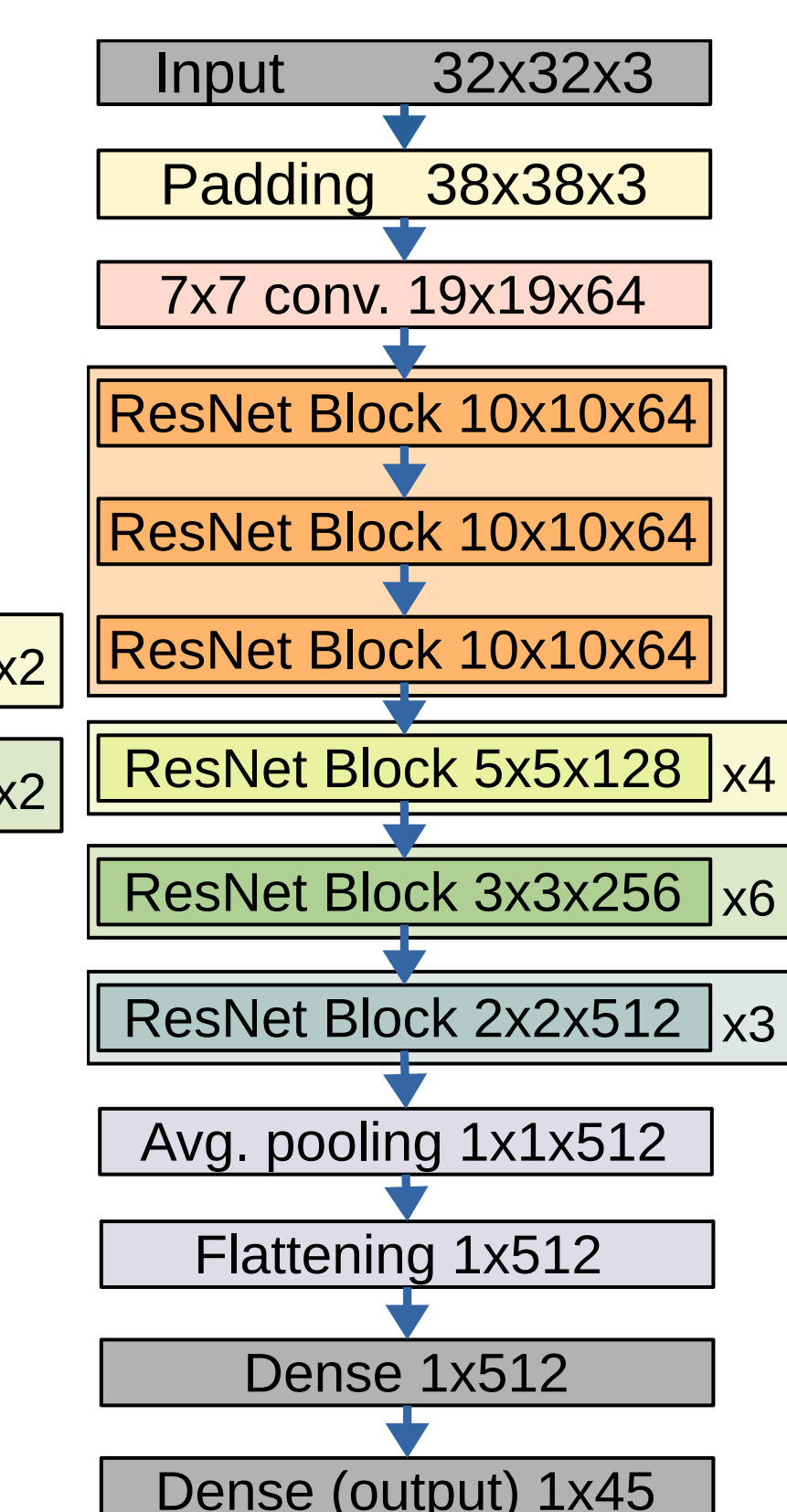
### A ResNet block



### Model-S



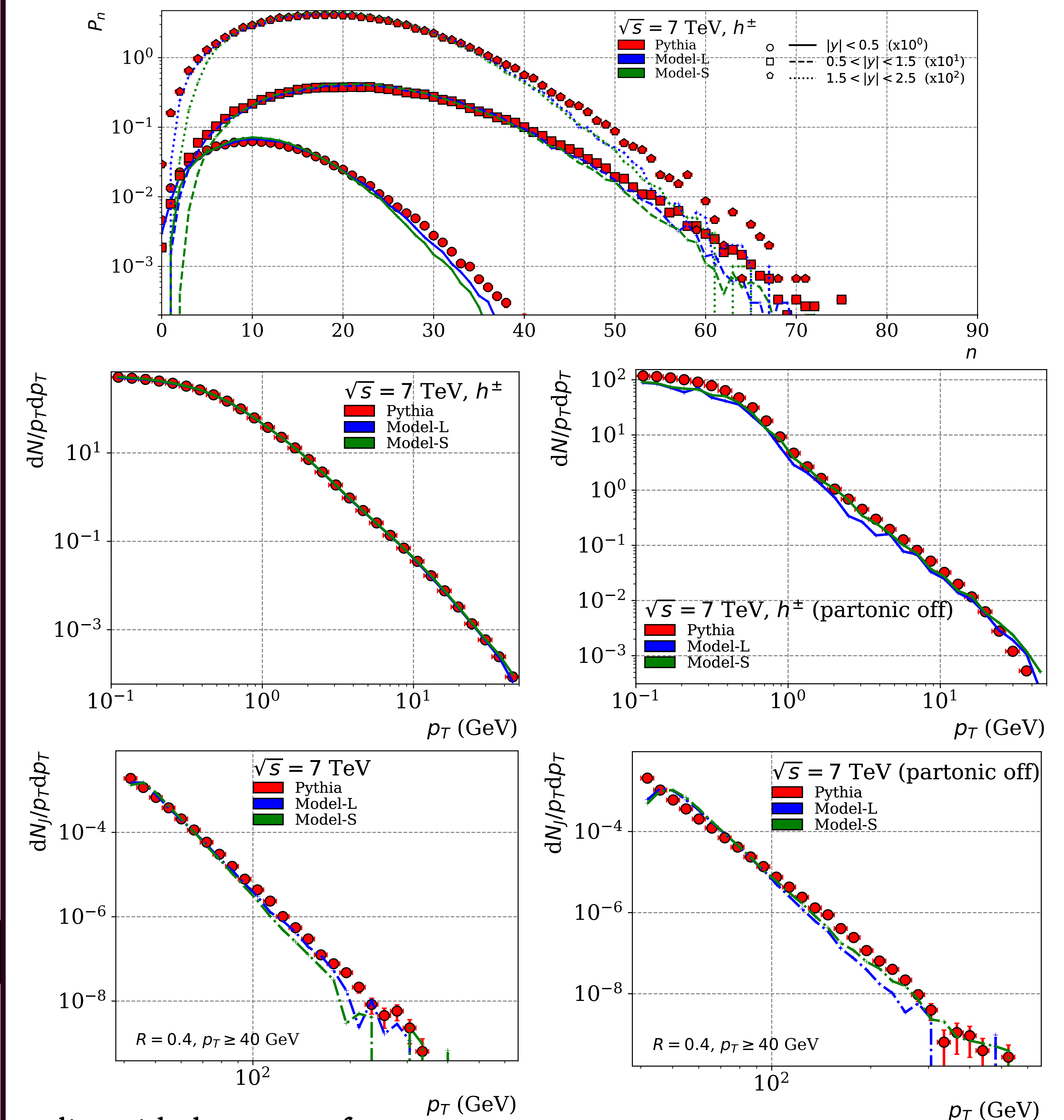
### Model-L



## Results

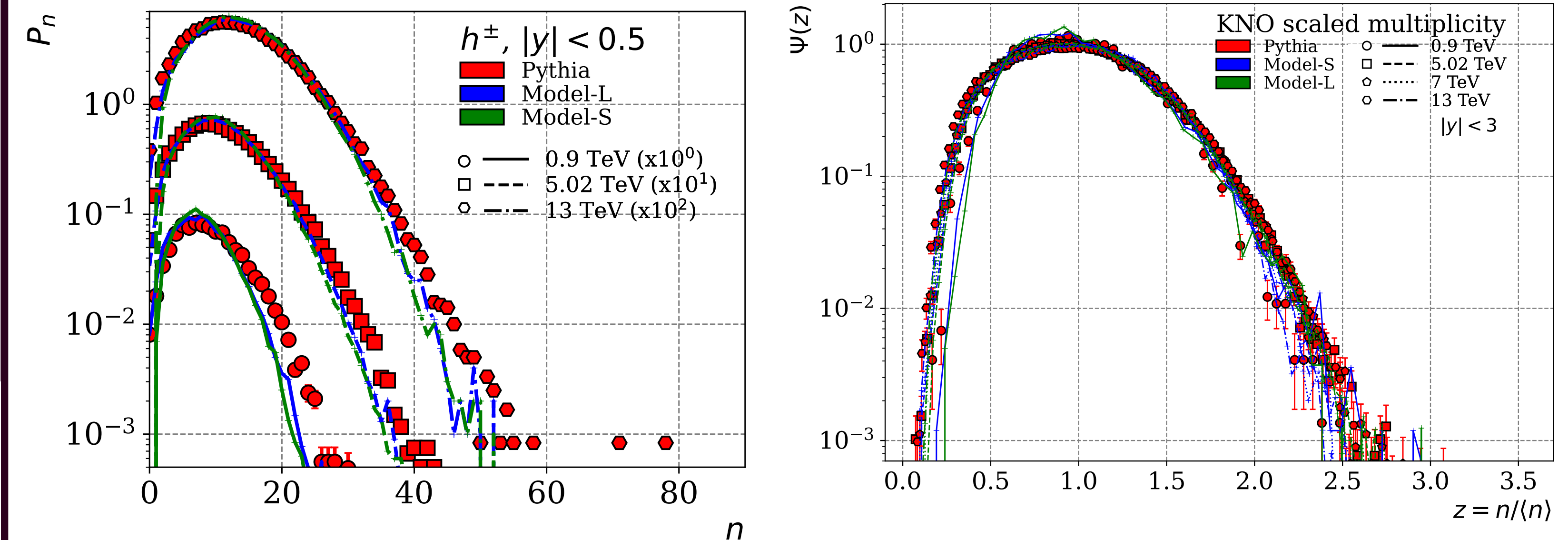
### Validation at the training energy: $\sqrt{s} = 7$ TeV, proton-proton collisions

Good Qualitative (and some quantitative) agreement with the reference Monte Carlo data  
No significant difference between the models  
Indicates that the hadronization process is captured indeed



### Scaling with the center-of-mass energy:

The models learned to extrapolate the observable quantities to other collision energies



## Summary

- Machine learning method for investigating hadronization: transform the partonic state into hadronic event-by-event statistical quantities
- Two model complexities: no significant difference
- Partonic interactions turned off: good qualitative agreement
- Accurate extrapolation to other center-of-mass energies
- Open questions:
  - Other collision systems and energies, observables?
  - Network complexity? Dimensionality?

## Acknowledgement

This work was supported by the Hungarian National Research Fund OTKA grant K135515 and K123815, NKFIH 2019-2.1.11-TÉT-2019-00078, 2019-2.1.11-TÉT-2019-00050; Wigner Scientific Computing Laboratory (WSCLAB) (the former Wigner GPU Laboratory), and by the Ministry of Innovation and Technology NRDI Office within the framework of the MILAB Artificial Intelligence National Laboratory Program.

## References

- [1] G. Bíró, B. Tankó-Bartalis, G.G. Barnaföldi (2021) arXiv:2111.15655
- [2] G. Bíró, B. Tankó-Bartalis, G.G. Barnaföldi (2022) PoS ICHEP2022 1188
- [3] Sjostrand, T. Comput. Phys. Commun. (1982) 27, 243
- [4] Monk, J.W. JHEP (2018) 12, 021
- [5] Chollet, F.; et al. (2015) <https://keras.io>; Abadi, M.; Agarwal, A.; Barham, P.; Brevdo, E.; Chen, Z.; Citro, C.; Corrado, G.S.; Davis, A.; Dean, J.; Devin, M. (2016) arXiv:cs.DC/1603.04467
- [6] K. He, X. Zhang, S. Ren, J. Sun (2015), arXiv:1512.03385
- [7] Tully, John A. "Monte Carlo simulations of hard QCD radiation." (2009).